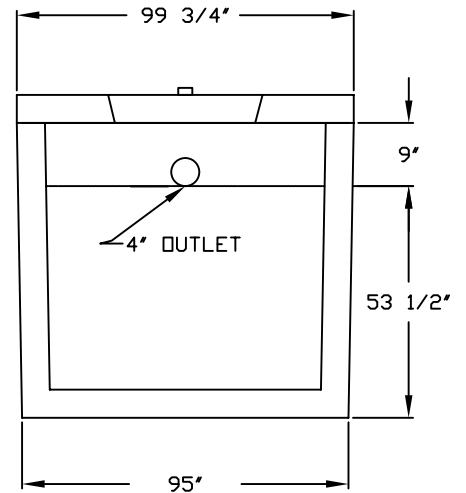


SIDE VIEW



END VIEW

TANK: CATEGORY 4. 4" 3300 GALLON 2 COMPARTMENT TANK REINFORCED WITH #3 STEEL 12" O/C. BOTH WAYS. 4" WALLS AND 4" BOTTOM. INLET AND OUTLET RESILIENT CONNECTORS PER ASTM-923-98. CONNECTORS MUST BE USED WITH APPROVED CLAMP. CONNECTOR WILL ACCEPT 4" PVC PIPE.

LIDS: 5" LID WITH 1-22" ROUND MANHOLE COVER AT EACH END OF TANK  
 8" LID WITH 1-22" ROUND MANHOLE COVER AT EACH END OF TANK  
 BOTH LIDS ARE REINFORCED WITH GRADE 60 REBAR.

TANK & LIDS: 4000 PSI CONCRETE AT 28 DAYS

IMPRINTED ON INLET END OF TANK:

LEGEND: FSI3300

STATE APPROVAL: 01-011-64D-C4

WEIGHTS: TANK ONLY 16,980  
 TANK W/ 5" LID 24,370  
 TANK W/ 8" LID 28,800

THIS SEWAGE TREATMENT RECEPTACLE HAS BEEN DESIGNED, CONSTRUCTED AND STRUCTURALLY TESTED IN ACCORDANCE WITH CHAPTER 64E-6.013, FLORIDA ADMINISTRATIVE CODE, (FAC) DATED MARCH 22, 2000.

DRAWING NOT TO SCALE

**FLORIDA SEPTIC, INC.**  
 P.O. BOX 545  
 HAWTHORNE, FLORIDA 32640  
 (800) 940-8265

MODEL:  
 4" 3300 GAL. TANK

REVISED:  
 02/15/2008

APPROVAL DATE:  
 08/14/2001