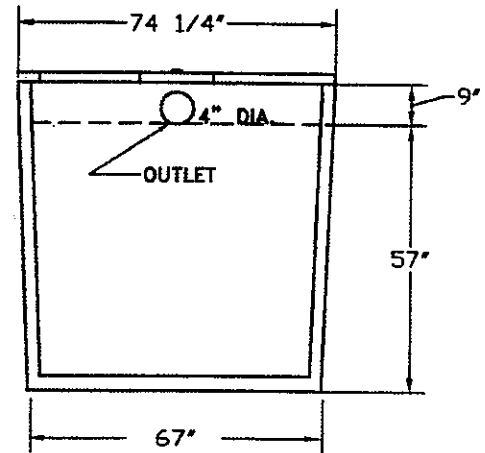


SIDE VIEW



END VIEW

**TANK:** CATEGORY 3. 3" 2000 GALLON 2 COMPARTMENT TANK REINFORCED WITH FIBRILLATED POLYPROPYLENE FIBER. 3" WALLS AND 4" BOTTOM. INLET AND OUTLET RESILIENT CONNECTORS PER ASTM-923-98. CONNECTORS MUST BE USED WITH APPROVED CLAMP. CONNECTOR WILL ACCEPT 4" PVC PIPE.

**LIDS:** 4" LID WITH 1-22" ROUND MANHOLE COVER AT EACH END OF TANK  
 8" LID WITH 1-22" ROUND MANHOLE COVER AT EACH END OF TANK  
 BOTH LIDS ARE REINFORCED WITH GRADE 60 REBAR.

**TANK & LIDS:** 4000 PSI CONCRETE AT 28 DAYS

IMPRINTED ON INLET END OF TANK:  
**LEGEND:** FSI 2000 STATE APPROVAL NUMBER: 01-011-37D-C3

**WEIGHTS:** TANK ONLY 10,790  
 TANK & 4" LID 13,340  
 TANK & 8" LID 15,890

THIS SEWAGE TREATMENT RECEPTACLE HAS BEEN DESIGNED, CONSTRUCTED AND STRUCTURALLY TESTED IN ACCORDANCE WITH CHAPTER 64E-6.013, FLORIDA ADMINISTRATIVE CODE, (FAC) DATED MARCH 22, 2000

DRAWING NOT TO SCALE

**FLORIDA SEPTIC, INC.**

P.O. BOX 545  
 HAWTHORNE, FLORIDA 32640  
 (800) 940-8265

**MODEL:**  
 3" 2000 GAL. TANK

**REVISED:**  
 12/27/01

**APPROVAL DATE:**  
 07/30/01