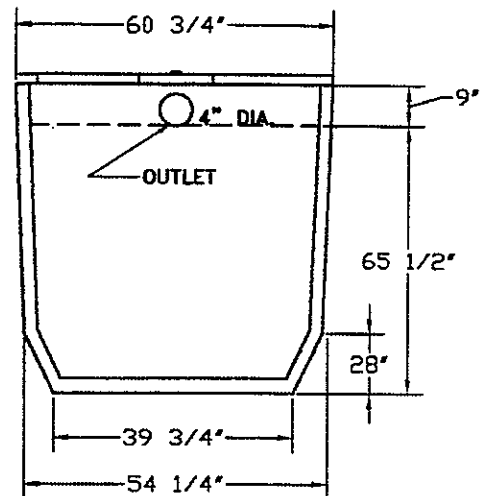


SIDE VIEW



END VIEW

TANK: CATEGORY 3. 3" 1500 GALLON 1 COMPARTMENT TANK REINFORCED WITH FIBRILLATED POLYPROPYLENE FIBER. 3" WALLS AND 3" BOTTOM. INLET AND OUTLET RESILIENT CONNECTORS PER ASTM-923-98. CONNECTORS MUST BE USED WITH APPROVED CLAMP. CONNECTOR WILL ACCEPT 4" PVC PIPE.

**LIDS: 4" LID WITH 1-22" ROUND MANHOLE COVER AT EACH END OF TANK
 8" LID WITH 1-22" ROUND MANHOLE COVER AT EACH END OF TANK
 BOTH LIDS ARE REINFORCED WITH GRADE 60 REBAR.**

TANK & LIDS: 4000 PSI CONCRETE AT 28 DAYS

**IMPRINTED ON INLET END OF TANK:
 LEGEND: FSI 1500 STATE APPROVAL NUMBER: 01-011-20S-C3**

**WEIGHTS: TANK ONLY 8,100
 TANK & 4" LID 10,650
 TANK & 8" LID 13,200**

THIS SEWAGE TREATMENT RECEPACLE HAS BEEN DESIGNED, CONSTRUCTED AND STRUCTURALLY TESTED IN ACCORDANCE WITH CHAPTER 64E-6.013, FLORIDA ADMINISTRATIVE CODE, (FAC) DATED MARCH 22, 2000

DRAWING NOT TO SCALE

FLORIDA SEPTIC, INC.

**P.O. BOX 545
 HAWTHORNE, FLORIDA 32640
 (800) 940-8265**

**MODEL:
 3" 1500 GAL. TANK**

REVISED: 12/27/01	APPROVAL DATE: 05/31/01
------------------------------	------------------------------------