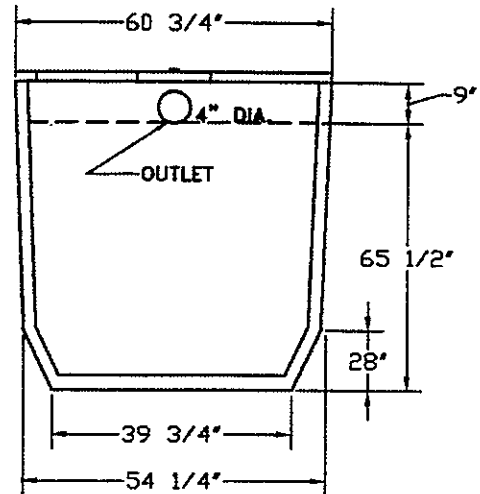


**SIDE VIEW**



**END VIEW**

**TANK: CATEGORY 3. 3" 1500 GALLON 2 COMPARTMENT TANK REINFORCED WITH FIBRILLATED POLYPROPYLENE FIBER. 3" WALLS AND 3" BOTTOM. INLET AND OUTLET RESILIENT CONNECTORS PER ASTM-923-98. CONNECTORS MUST BE USED WITH APPROVED CLAMP. CONNECTOR WILL ACCEPT 4" PVC PIPE.**

**LIDS: 4" LID WITH 1-22" ROUND MANHOLE COVER AT EACH END OF TANK  
8" LID WITH 1-22" ROUND MANHOLE COVER AT EACH END OF TANK  
BOTH LIDS ARE REINFORCED WITH GRADE 60 REBAR.**

**TANK & LIDS: 4000 PSI CONCRETE AT 28 DAYS**

**IMPRINTED ON INLET END OF TANK:  
LEGEND: FSI 1500 STATE APPROVAL NUMBER: 01-011-20D-C3**

**WEIGHTS: TANK ONLY 8,500  
TANK & 4" LID 11,050  
TANK & 8" LID 13,600**

**THIS SEWAGE TREATMENT RECEPTACLE HAS BEEN DESIGNED, CONSTRUCTED AND STRUCTURALLY TESTED IN ACCORDANCE WITH CHAPTER 64E-6.013, FLORIDA**

**ADMINISTRATIVE CODE, (FAC) DATED MARCH 22, 2000**

**DRAWING NOT TO SCALE**

**FLORIDA SEPTIC, INC.**

**P.O. BOX 545  
HAWTHORNE, FLORIDA 32640  
(800) 940-8265**

**MODEL:**

**3" 1500 GAL. TANK**

**REVISED:**

**12/27/01**

**APPROVAL DATE:**

**05/31/01**