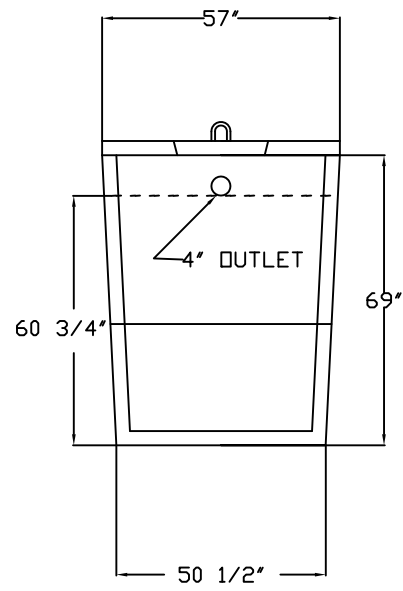


**SIDE VIEW**



**END VIEW**

**TANK: CATEGORY 3.** 3" 800 AQUAKLEAR TANK 2 COMPARTMENT TANK REINFORCED WITH FIBRILLATED POLYPROPYLENE FIBER. 3" WALLS AND 3" BOTTOM. INLET AND OUTLET RESILIENT CONNECTORS PER ASTM-923-98. CONNECTORS MUST BE USED WITH APPROVED CLAMP. CONNECTOR WILL ACCEPT 4" PVC PIPE.

**LIDS:** 3" LID WITH 1-22"/1-17" ROUND MANHOLE COVER  
 8" LID WITH 1-22"/1-17" ROUND MANHOLE COVER  
 LID IS REINFORCED WITH GRADE 60 REBAR.

**TANK & LIDS:** 4000 PSI CONCRETE AT 28 DAYS

IMPRINTED ON INLET END OF TANK:

**LEGEND: FSI 800 STATE APPROVAL NUMBER: 01-011-AK8-C3**

**WEIGHTS:** TANK ONLY 6,040  
 TANK & 3" LID 8,061  
 TANK & 8" LID 9,560

THIS SEWAGE TREATMENT RECEPTACLE HAS BEEN DESIGNED, CONSTRUCTED AND STRUCTURALLY TESTED IN ACCORDANCE WITH CHAPTER 64E-6.013, FLORIDA ADMINISTRATIVE CODE, (FAC) DATED APRIL 28, 2010.

DRAWING NOT TO SCALE

**FLORIDA SEPTIC, INC**

P.O. BOX 545  
 HAWTHORNE, FLORIDA 32640  
 (800) 940-8265

**MODEL:**

3" 800 AQUAKLEAR TANK

REVISED:  
 05/01/2011

APPROVAL DATE:  
 DECEMBER 14, 2005